

Access Control | GS3-MT Mullion Proximity Reader

Overview

The Stanley GS3-LF Mullion proximity reader offers unsurpassed quality and reliability, together with guaranteed quick and dependable read times keep traffic moving through secure areas.

Both reliable and difficult to compromise, the attractive black and silver finish is constructed of rugged polycarbonate plastic and complements any office or building environment. Multi-technology means these readers are capable of reading more than one credential technology. The GS3-MT readers are capable of reading 153 and 125 kHz proximity technology together with 13.56 MHz smart technology in the same reader. A smart card has the ability to store more information than just a traditional badge ID number, it can store multiple applications including cashless vending, Logical PC access, library, transit and biometric templates.

For customers looking to migrate or transition from existing proximity card technology to newer contactless smart technology, the GS3-MT readers are the easiest and most cost effective solution. Rather than replacing entire card populations immediately which is typically administratively intense, customers can replace readers and migrate at their own pace. Once multi-technology readers have been installed the user can begin distributing secure contactless smart cards.

Key Features

- Over 3 inch reading range
- Easy installation with low cost 22AWG Unshielded 4-conductor cable when connected to Stanley PAC 512 or K2000-series door controllers
- Reads KeyPAC/K3000 (125KHz) and PAC/K2000 (153KHz), most HID® 125 kHz Proximity and HID Corporate 1000® Proximity, together with ISO 14443A compatible Ops Lite (Mifare) and Ops (DESFire EV1) cards and key fobs
- Fast and dependable read times
- Flexible, operates with the Stanley PAC512-series and most access controllers and burg panels that utilize a Wiegand protocol interface
- ADA compliant audiovisual indication making secure areas equally accessible to disabled users
- Wall tamper compliant to UL 294 and ULC 5319 offering a true Class 3 reader option for access systems
- Suitable for indoor and outdoor use. Sealed in a rugged weatherized polycarbonate enclosure to withstand harsh environments
- Lifetime guarantee



FEATURES AND SPECIFICATIONS CHART

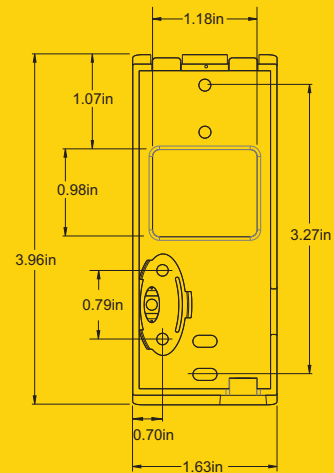


GS3-MT Mullion Proximity Reader	
Description	Mullion-style proximity reader
ID Technology	125 kHz - KeyPAC and most 125kHz HID® Proximity. 153 kHz - PAC and Readykey™. 13.56 MHz - Ops Lite (Mifare) and Ops (DESFire EV1)
Programmable Output	PAC (Readykey™), PAC64, Weigand and Magstripe
Dimensions	H: 4.1in x W: 1.8in x D: 1.1in
Weight	5.3 oz nominal
Maximum Read Range	Up to 3.3 in.
Environment	IP65 - Indoor / Outdoor weather resistant
Max. Current Requirements	< 100mA
Operating Voltage	12 VDC - 24 VDC Nominal (Range 10.5 to 28 VDC)
Recommended Cable Type	PAC Format: 22AWG 4-Conductor Unshielded, up to 800 ft Wiegand Format 22AWG 5-Conductor Shielded, up to 500 feet
Operating Temperature	-40° to + 151° F
Operating Humidity	10 to 85% relative humidity non-condensing (ULC S319 testing to 93%)
Audiovisual Indication	Bi-color LED (red-green) and audible sounder
Material	Polycarbonate UL94 HB (F1)
Tamper	Yes -wire tamper (PAC 512), case and wall
Certifications	UL 294 5th Ed. Attack Class 3, ULC S319-05 Class 3, UL 1610, ULC S304, UL 1076, ULC 1076, FCC Part 15 & IC RSS210
Ordering Information	75-20112 GS3-MT Mullion Proximity Reader



CREDENTIAL READ RANGE

Stanley GS3 Mullion Reader	Key Fob	ISO Card
	Up to 2.7 in.	Up to 3.3 in.



CARD AND KEY FOB COMPATIBILITY

K3010 / D8338	K3011 / D8339	K3011M	HID 1346 ProxKey III	
K2010 / D8238	STFOB	K2011 / D8239 / STCARD	HID1386 ISOProx II Card	

Visit us at...
STANLEY.PAC.COM